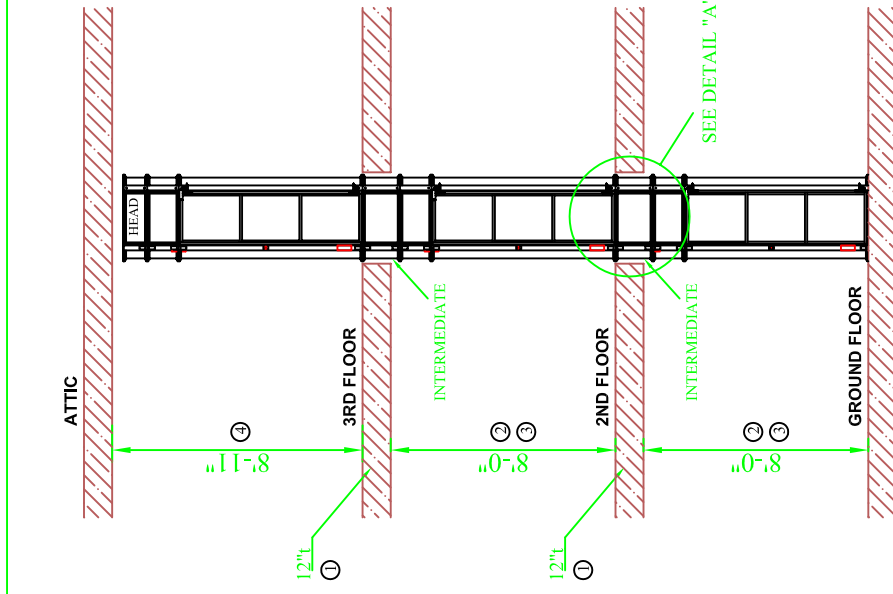
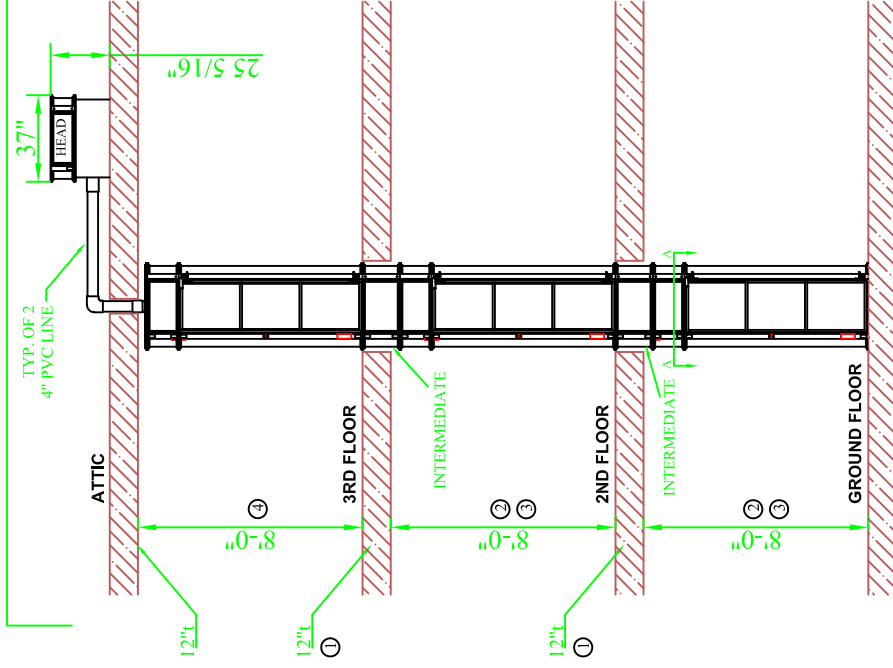


TYPICAL SETUP



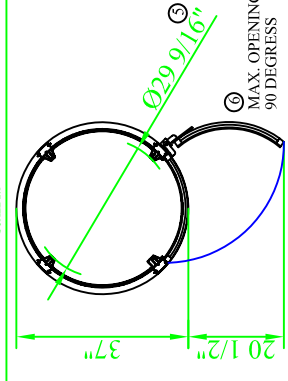
OPTION: REMOTE LOCATION OF HEAD UNIT



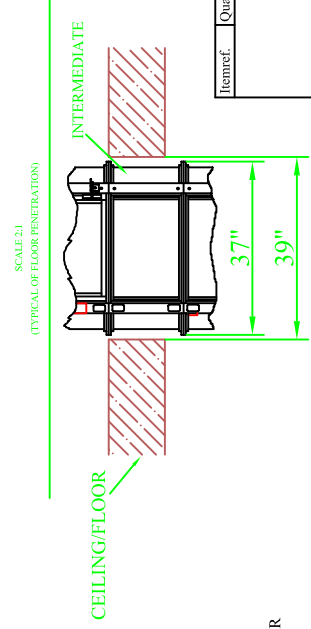
NOTE:

- ① INTERMEDIATE CYLINDER IS CUSTOM MADE AS FLOOR THICKNESS MAY VARY FROM HOME TO HOME.
- ② INTERMEDIATE CYLINDER IS CUSTOM MADE AS ROOM HEIGHT MAY VARY FROM HOME TO HOME.
- ③ MINIMUM ALLOWABLE HEIGHT IS 7'-9"
- ④ MINIMUM ALLOWABLE HEIGHT AS SHOWN FOR THIS TYPE OF INSTALLATION
- ⑤ INTERNAL DIAMETER OF CABIN WITHOUT THE COLUMNS IS 32" AND THE INTERNAL CABIN HEIGHT IS 6'-5"
- ⑥ DOOR HEIGHT IS 23 1/2"
- 7 MAX. ELEVATOR HEIGHT IS 35'

VIEW "A-A"
SCALE 2:1



DETAIL "A"
SCALE 2:1
(TYPICAL OF FLOOR PENETRATION)



Itemref.	Quantity	Material	Dimensions	Article No./ Reference
TYPICAL HOME INSTALLATION FOR A 3STOP ELEVATOR				
Designed by	HS	Scale	1:1	Drawing No. D-TYP-H02
Rev	0	Date	04/02/04	