

**FOR PROJECTS SOLD WITH AUTOMATIC
SLIDING DOORS ON LANDINGS**

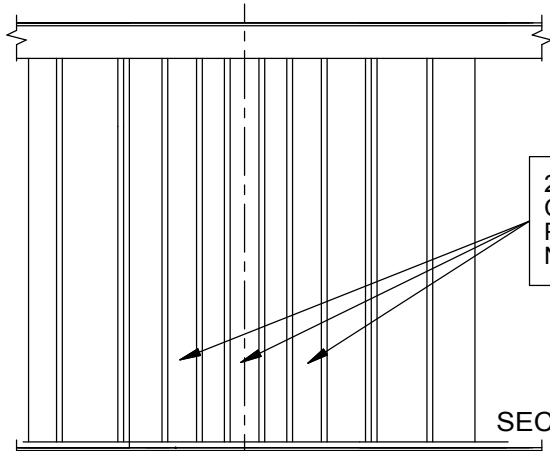
DOOR ROUGH OPENING DETAILS

STUD CONSTRUCTION

DOOR OPENING TO BE LEFT FULL HEIGHT
FLOOR TO CEILING
HEADER AND SLIP STUDS TO BE INSTALLED AT
TIME OF ELEVATOR INSTALLATION
OPENINGS TO BE FULL WIDTH OF HOISTWAY

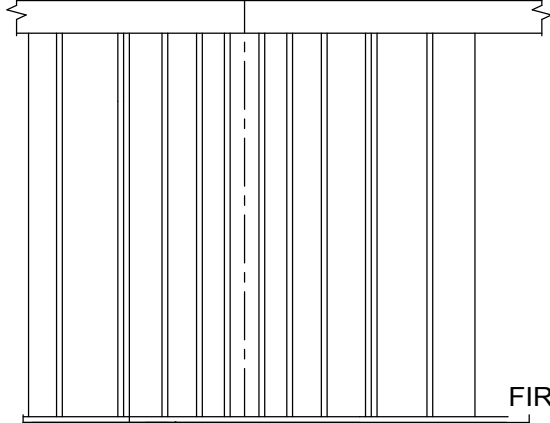
CONCRETE CONSTRUCTION

DOOR OPENING TO BE LEFT FULL HEIGHT
FLOOR TO CEILING, WOOD HEADER
AND SLIP STUDS TO BE INSTALLED AT TIME OF
ELEVATOR INSTALLATION
OPENINGS TO BE FULL WIDTH OF HOISTWAY



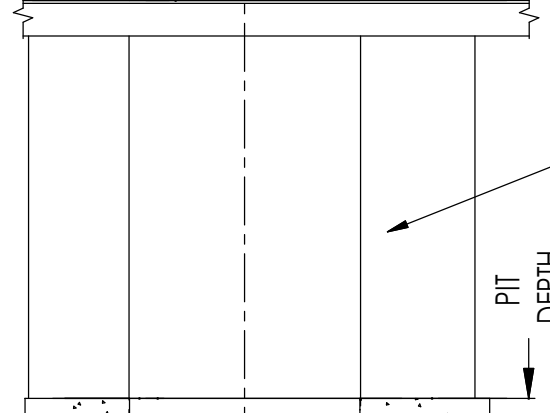
2x6 AND 2x8
CHANNEL CONSTRUCTION
PLYWOOD SHEATHING
NOT SHOWN

SECOND



2x 2" X 6"
1x 2" x 8"
CHANNEL CONSTRUCTION
TYPICAL 3 PLACES
2x6 SCREWED TO 2x8
EVERY 6" WITH #8x3-1/2"
WOODSCREWS

FIRST



CONCRETE FOUNDATION

PIT
DEPTH

PIT

PIT FLOOR UNDER BASEPLATE
(6 3/4" X 32 1/2") MUST SUPPORT
A VERTICAL LOAD OF 4000 LBS

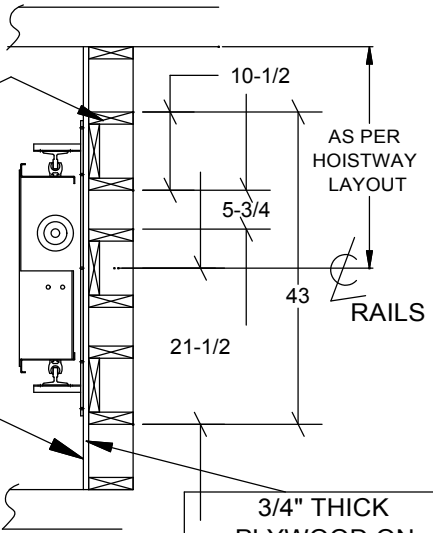
DOOR OPENINGS
FULL WIDTH OF HOISTWAY

DO NOT SCALE DRAWING

PIT DEPTH= 8" FINISHED MINIMUM **

** PIT DEPTH DEPENDENT ON CAB LAYOUT
AND ELEVATOR CAPACITY

TYPICAL SUPPORT WALL CONSTRUCTION



3/4" PLYWOOD
SCREWED TO STUDS
EVERY 12" WITH
#8 x 2-1/2"
WOOD SCREWS
MINIMUM

3/4" THICK
PLYWOOD ON
RAIL SUPPORT WALL

RAIL SUPPORT WALL MUST SUPPORT
HORIZONTAL REACTION LOAD OF 1000 lbs
AT ANY POINT

**RAIL WALL
MUST BE PLUMB (±1/8")
& SQUARE**

CAMBRIDGE ELEVATING INC.

PART DESCRIPTION
HOISTWAY LAYOUT DRAWING

SIZE A	DRWG NUMBER CAMBRIAN STANDARD	CODE B
------------------	---	------------------

SCALE	DATE	SHEET 4	OF 5
-------	------	---------	------